

Tous droits strictement reserves. Reproduction ou communication a des tiers interdite sous quelque forme que ce soit sans autorisation ecrite du proprietaire. Propriete de c FCI. Droits de reproduction FCI.

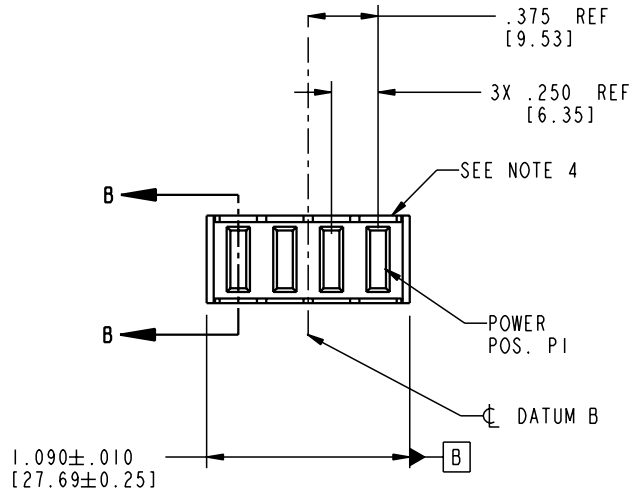
A
FCI

All rights strictly reserved. Reproduction or issue to third parties in any form whatever is not permitted without written authority from the proprietor. Property of FCI. Copyright FCI.

A

B

| | | | | |
|---------------------------------|-------|----|----|----|
| PRODUCT NO. 51747-10400000C0 | POWER | | | |
| | P4 | P3 | P2 | P1 |
| | PC | PC | PC | PC |



A

B

| CODE | DIM "M" MATING LENGTH | CONTACT TYPE |
|------|-----------------------|--------------|
| PC | .042 [1.07] | POWER |

| | | | | | | | | | |
|-------------|----------------|------------|---------|---------------------------------------|------------------------|----------|------------------|-------------------------------|---|
| mat'l code | | SEE NOTE 2 | | tolerances unless otherwise specified | | CUSTOMER | | FCI www.fciconnect.com | |
| ltr | ecr no. | dr | date | linear | .XX±.01/0.X±0.3 | | COPY | | projection |
| A | V03-0946 | MEM | 8/25/03 | angles | .XXX±.005/0.XX±0.13 | | INCH/MM | | |
| | | | | dr | .XXX±.0020/0.XXX±0.051 | | scale | | title 4P VERTICAL PRESS FIT RECEIPT |
| | | | | enrg | M. MOSTOLLER | 8/25/03 | product family | | |
| | | | | chr | H. BREWBAKER | 8/25/03 | size | | sheet 1 of 4 |
| | | | | appd | M. MOSTOLLER | 8/25/03 | dwg no | | |
| sheet index | revision sheet | A | A | A | A | A | A | | cage code 22526 |
| | | 1 | 2 | 3 | 4 | | 51747-10400000C0 | | |

Pro/E

3

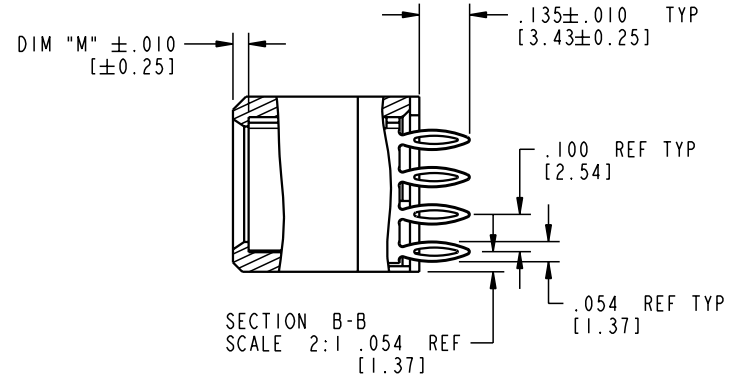
4

Tous droits strictement reserves. Reproduction ou communication a des tiers interdite sous quelque forme que ce soit sans autorisation ecrite du proprietaire. Propriete de c FCI. Droits de reproduction FCI.

All rights strictly reserved. Reproduction or issue to third parties in any form whatever is not permitted without written authority from the proprietor. Property of FCI. Copyright FCI.

A
FCI

PRODUCT NUMBER
51747-10400000C0



| | | | | | | | | | |
|-------------|---------|----------------|------|---------------------------------------|------------------------|----------|--|---|--|
| mat'l code | | SEE NOTE 2 | | tolerances unless otherwise specified | | CUSTOMER | | A FCI www.fciconnect.com | |
| ltr | ecr no. | dr | date | linear | .XX±.01/0.X±0.3 | COPY | | title | |
| A | | | | projection | .XXX±.005/0.XX±0.13 | | | 4P | |
| | | | | angles | .XXX±.0020/0.XXX±0.051 | | | VERTICAL PRESS FIT RECEIPT | |
| | | | | dr | M. MOSTOLLER 8/25/03 | INCH/MM | | product family PwrBlade | |
| | | | | engr | M. MOSTOLLER 8/25/03 | scale | | code | |
| | | | | chr | H. BREWBAKER 8/25/03 | 1:1 | | 213 | |
| | | | | appd | M. MOSTOLLER 8/25/03 | A | | sheet | |
| sheet index | | revision sheet | | | | A | | 2 of 4 | |

cage code **22526**

Pro/E

PDM: Rev:A

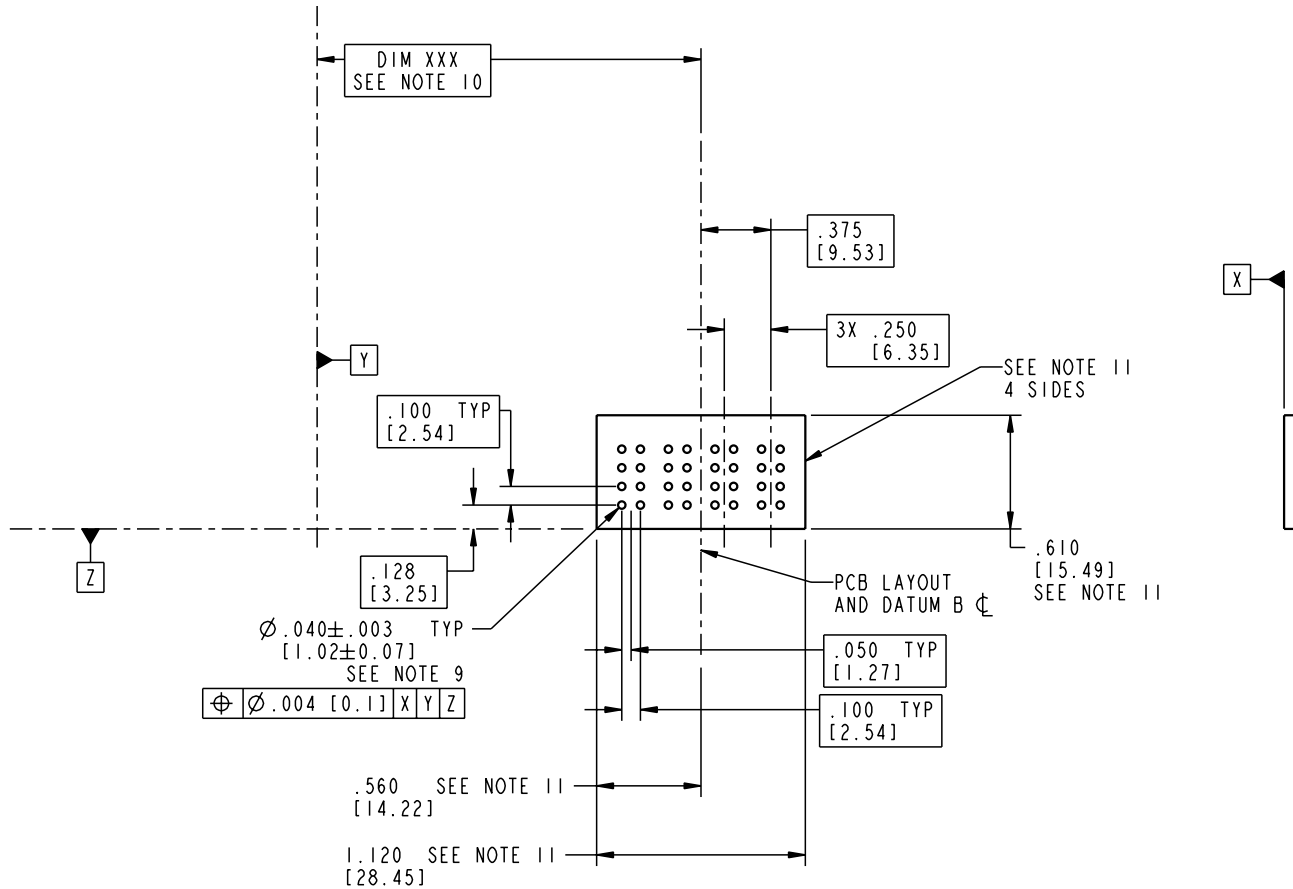
STATUS: **Released**

Printed: Aug-14, 2007

Tous droits strictement reserves. Reproduction ou communication a des tiers interdite sous quelque forme que ce soit sans autorisation ecrite du proprietaire. Propriete de c FCI. Droits de reproduction FCI.

All rights strictly reserved. Reproduction or issue to third parties in any form whatever is not permitted without written authority from the proprietor. Property of FCI. Copyright FCI.

PRODUCT NUMBER
51747-10400000C0



$\phi .040 \pm .003$ TYP
[1.02 ± 0.07]
SEE NOTE 9

.560 SEE NOTE 11
[14.22]

1.120 SEE NOTE 11
[28.45]

| | | | | | | | | | |
|-------------|---------|----------------|------|---------------------------------------|------------------------|------------|--|----------------------------|--|
| mat'l code | | SEE NOTE 2 | | tolerances unless otherwise specified | | CUSTOMER | | www.fciconnect.com | |
| ltr | ecn no. | dr | date | linear | .XX±.01/0.X±0.3 | COPY | | title | |
| A | | | | angles | .XXX±.005/0.XX±0.13 | projection | | 4P | |
| | | | | dr | .XXX±.0020/0.XXX±0.051 | | | VERTICAL PRESS FIT RECEIPT | |
| | | | | enr | M. MOSTOLLER 8/25/03 | INCH/MM | | product family PwrBlade | |
| | | | | chr | H. BREWBAKER 8/25/03 | scale | | code | |
| | | | | appd | M. MOSTOLLER 8/25/03 | 1:1 | | 213 | |
| sheet index | | revision sheet | | | | A | | 51747-10400000C0 | |
| | | | | | | | | 3 of 4 | |

cage code 22526

Pro/E

Tous droits strictement reserves. Reproduction ou communication a des tiers interdite sous quelque forme que ce soit sans autorisation ecrite du proprietaire. Propriete de c FCI. Droits de reproduction FCI.

All rights strictly reserved. Reproduction or issue to third parties in any form whatever is not permitted without written authority from the proprietor. Property of FCI. Copyright FCI.


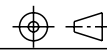
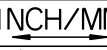
PRODUCT NUMBER
51747-10400000C0

NOTES:

1. DIMENSIONS AND TOLERANCES ARE IN ACCORDANCE WITH ASME Y14.5M, 1994 UNLESS OTHERWISE SPECIFIED.

CONNECTOR NOTES:

- 2 HOUSING MATERIAL: UL 94 V-0 GLASS FILLED
HIGH-TEMP THERMOPLASTIC
POWER CONTACT MATERIAL: COPPER ALLOY
SIGNAL PIN MATERIAL: COPPER ALLOY
- 3. PLATING:
SIGNAL PINS: 30u"/0.76um Au OVER 50u"/1.27um Ni
POWER CONTACTS: 50u"/1.27um Ni UNDER ALL
WITH 30u"/0.76um Au ON CONTACT AREA
AND SnPb ON PCB INTERFACE
- 4 MANUFACTURER'S NAME, P/N, AND DATE CODE TO APPEAR ON THIS SURFACE.
- 5. PRODUCT SPECIFICATION GS-12-149.
APPLICATION SPECIFICATION BUS-20-067.
- 6. PACKAGED IN TRAYS.
- PCB NOTES:
- 7. ALL HOLE DIAMETERS ARE FINISHED HOLE SIZE.
- 8 MOUNTING HOLES, WHERE APPLICABLE, ARE UNPLATED.
- 9 $\varnothing .0453 \pm .0010$ [1.151 \pm 0.025] DRILLED HOLES PLATED WITH .0003 [0.008] MIN SnPb OVER .001 [0.03] TO .003 [0.08] Cu PLATING TO ACHIEVE $\varnothing .040 \pm .003$ [1.02 \pm .07] HOLE.
- 10 "DIM XXX" TO BE DETERMINED BY THE CUSTOMER.
- 11 CONNECTOR KEEP-OUT ZONE.

| | | | | | | | | | |
|-------------|----------------|------------|------|---------------------------------------|------------------------|---|--|---|--|
| mat'l code | | SEE NOTE 2 | | tolerances unless otherwise specified | | CUSTOMER | |  www.fciconnect.com | |
| ltr | ecn no. | dr | date | linear | .XX±.01/0.X±0.3 | COPY | | | |
| A | | | | projection | .XXX±.005/0.XX±0.13 |  | | title 4P VERTICAL PRESS FIT RECEIPT | |
| | | | | angles | .XXX±.0020/0.XXX±0.051 |  | | product family PwrBlade | |
| | | | | dr | M. MOSTOLLER 8/25/03 | INCH/MM | | code 213 | |
| | | | | engr | M. MOSTOLLER 8/25/03 | scale | | sheet 4 of 4 | |
| | | | | chr | H. BREWBAKER 8/25/03 | 1:1 | | size A 51747-10400000C0 | |
| | | | | appd | M. MOSTOLLER 8/25/03 | | | cage code 22526 | |
| sheet index | revision sheet | | | | | | | | |

Pro/E

cage code 22526